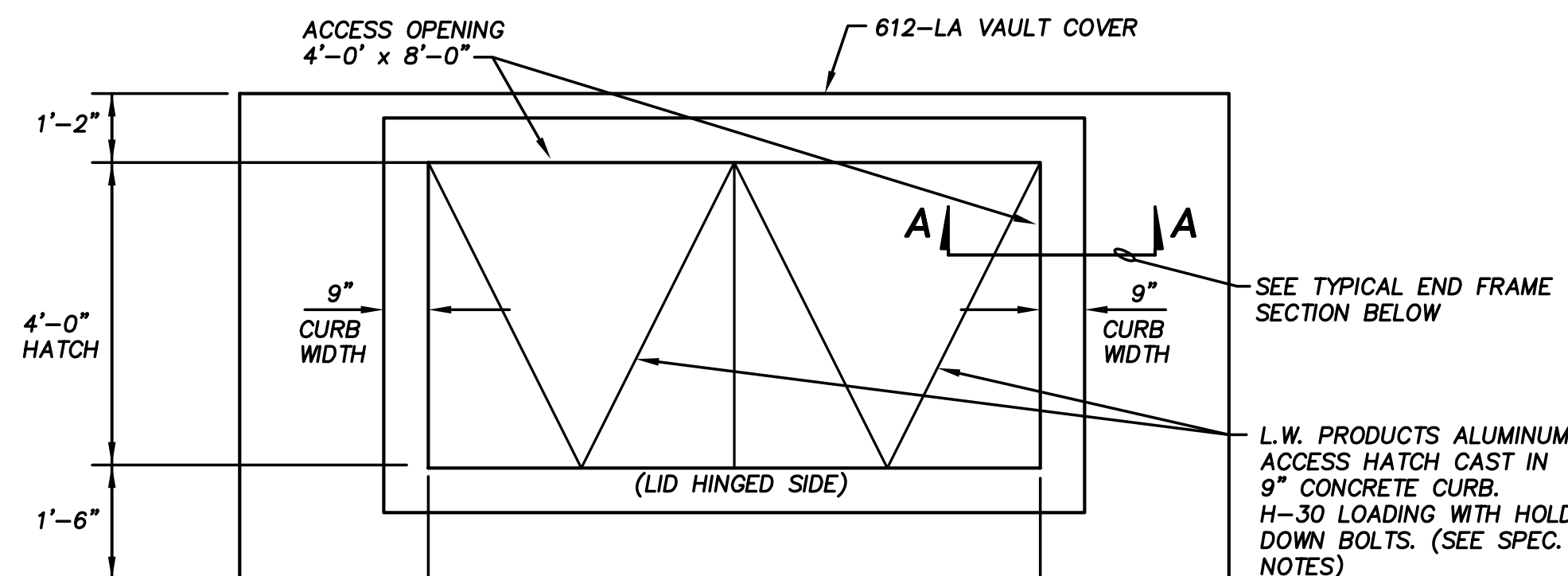


**EXISTING PIPE LAYOUT WITHIN VAULT**

NOT TO SCALE

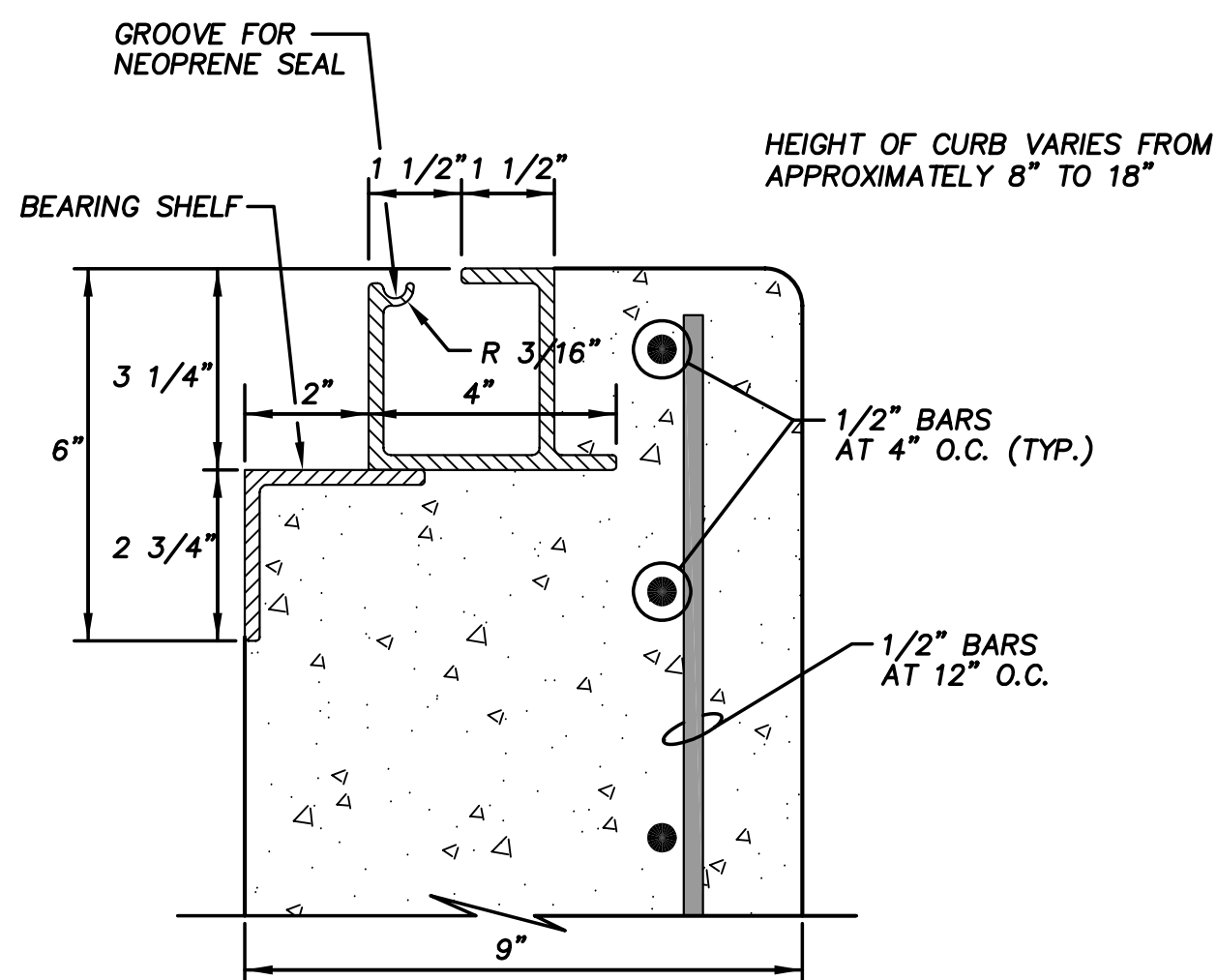


**PLAN**

NOT TO SCALE

**ACCESS HATCH SPECIFICATION NOTES**

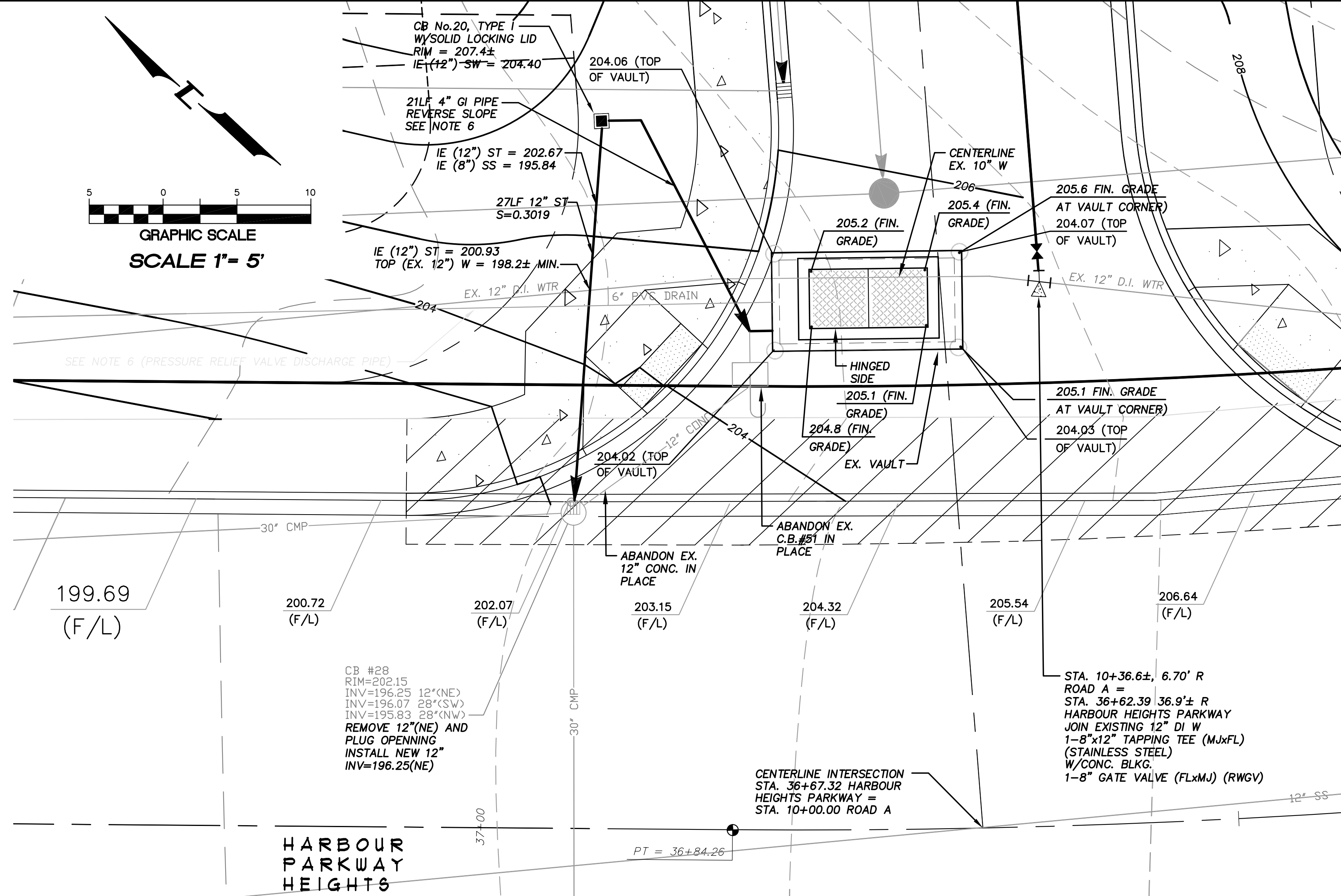
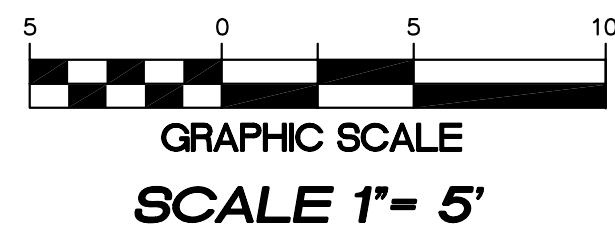
1. REMOVE EXISTING VAULT COVER WITH LOW LOAD RATING ACCESS HATCH.
2. INSTALL NEW VAULT COVER RATED FOR H-30 LOAD WITH A 4'0" X 8'0" OPENING PLACED OFF-CENTER (SEE PLAN ABOVE).
3. FORM A REINFORCED CONCRETE CURB 9" WIDE AROUND OPENING TO SUPPORT A 4' BY 8' ACCESS HATCH (SEE DETAIL BELOW).
4. ACCESS HATCH TO BE L.W. PRODUCTS WOODINVILLE, WA WITH HOLD DOWN BOLTS, MODEL HD-SBS-3, 48" X 96" DESIGNED FOR H-30 LOADING, FURNISHED WITH LEVELING BOLTS LOCATED AT THE FOUR OUTSIDE CORNERS. (SIDE BY SIDE, DOUBLE LEAF DOOR)
5. CONTRACTOR SHALL ADJUST THE SURFACE OF THE ACCESS HATCH TO FIT THE ROAD GRADE, BOTH IN PROFILE AND IN CROSS SECTION BY USING THE LEVELING BOLTS.
6. HATCH TO OPEN TO THE DOWNHILL SIDE, TO THE SOUTH, AS INDICATED ON THE DRAWINGS.



**TYPICAL END FRAME SECTION A-A**

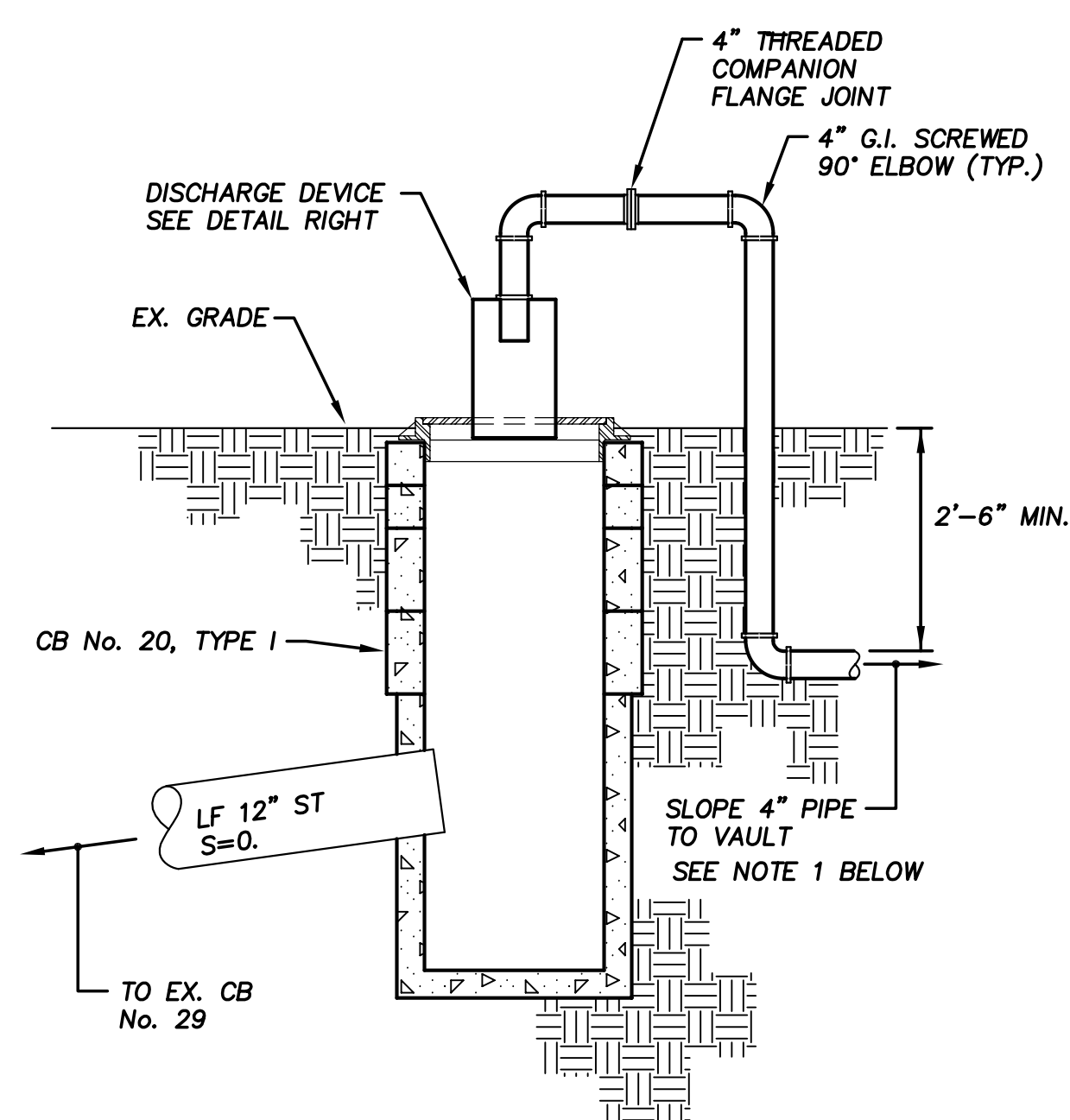
NOT TO SCALE

1 1/4" DRAIN COUPLING PROVIDED W/HATCH (4 EACH) PIPE 2 EA TO FLOOR LINE ALONG WALL AND PLUG THE OTHER TWO.



**PRESSURE RELIEF VALVE DISCHARGE PIPE**

1. ABANDON EXISTING CATCH BASIN #51.
2. INSTALL NEW C.B. No. 20 BEHIND SIDEWALK TO RECEIVE THE PRESSURE RELIEF DISCHARGE.
3. INSTALL NEW 4" GALVANIZED PIPE TO NEW C.B. No. 20.
4. INSTALL 12" STORM SEWER AT LOCATION SHOWN. 12" STORM SEWER TO BE A DIRECT CONNECTION TO C.B. NO. 28.
5. INSTALL NEW DISCHARGE DEVICE AS DETAILED TO RIGHT.
6. MAINTAIN AND PRESERVE EXISTING 6" PVC DRAIN FROM VAULT SUMP TO C.B. #29 (DOWNSTREAM) LOCATED APPROXIMATELY 170' FROM VAULT.



**DISCHARGE DEVICE AT CATCH BASIN No. 20**

NOT TO SCALE

1. INSIDE VAULT, INSTALL A PIPE SADDLE WITH A BALL CHECK DRAIN VALVE TO AUTOMATICALLY DRAIN 4 INCH LINE FOR FREEZE PROTECTION.

**CATCH BASIN FOR RELIEF VALVE**

NOT TO SCALE

Approved by: \_\_\_\_\_ Date \_\_\_\_\_  
 Mukilteo Water District  
 Mukilteo Water District Extension No. 347

Gray & Osborne No. 03670

Project must be completed within one (1) year from the date of approval. In the event that the project developer fails to do so, the project will be subject to reapplication, additional plan review and revision, due to any changes in District standards or requirements occurring prior to completion. Water service is available only after payment of all current fees.



4180 LIND AVE. SW  
 RENTON, WA 98055  
 PHONE: (425) 251-8811  
 FAX: (425) 251-8880  
 WEB SITE: PACENG.COM

**Pacific Engineering Design, LLC**  
 Civil Engineering and Planning Consultants

**WESTRIDGE (SECTOR 11 PHASE II)**  
 MUKILTEO, WA.

FOR BURNSTEADS  
 12120 20TH AVENUE NE SUITE 201  
 BELLEVUE, WA 98005-2105  
 PHONE: (425) 454-1900 FAX: (425) 454-4543

PROJECT NO.: **03002**  
 DRAWN BY: **DJW**  
 ISSUE DATE: **02-28-03**  
 SHEET REV.: **09-30-04**

**MUKILTEO WATER PRV LID DESIGN**

03002WA03.dwg  
**C19**  
 SHEET OF