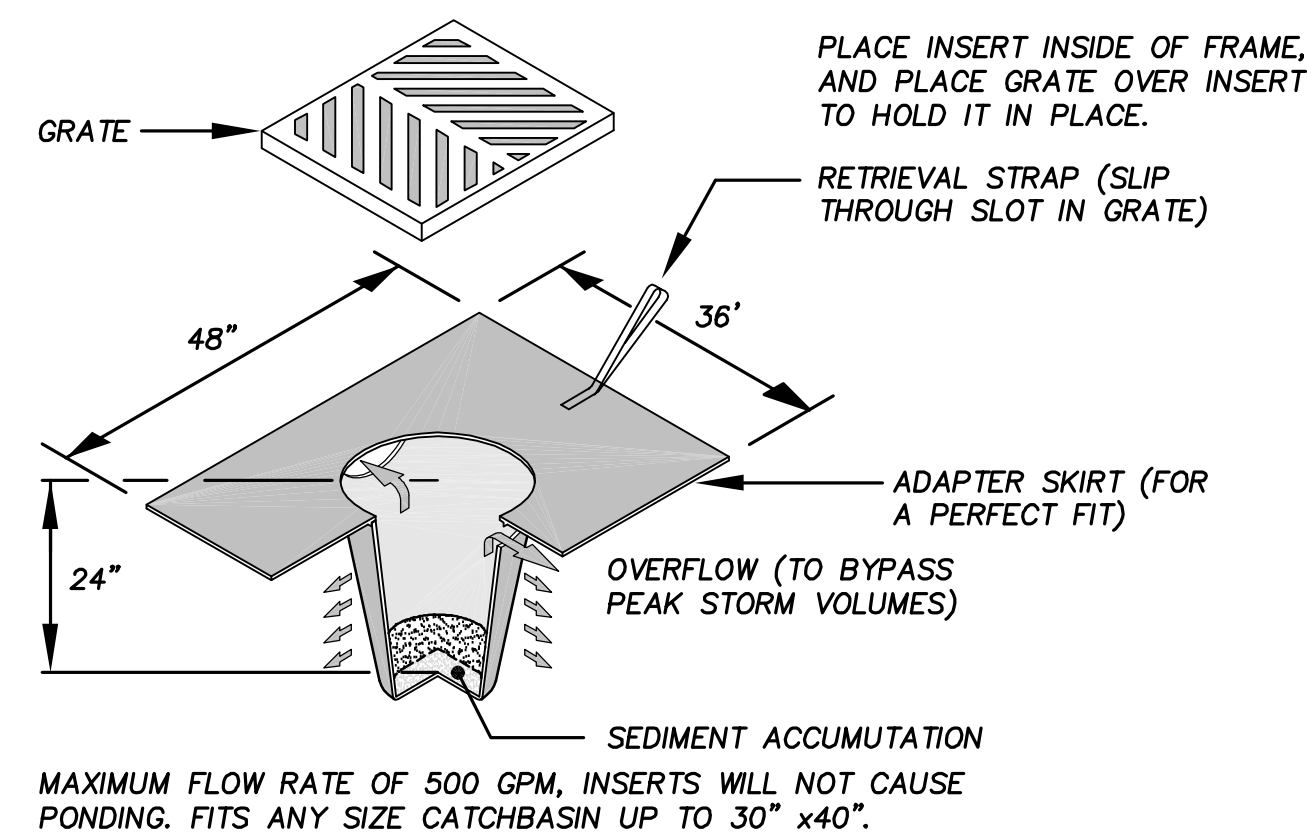
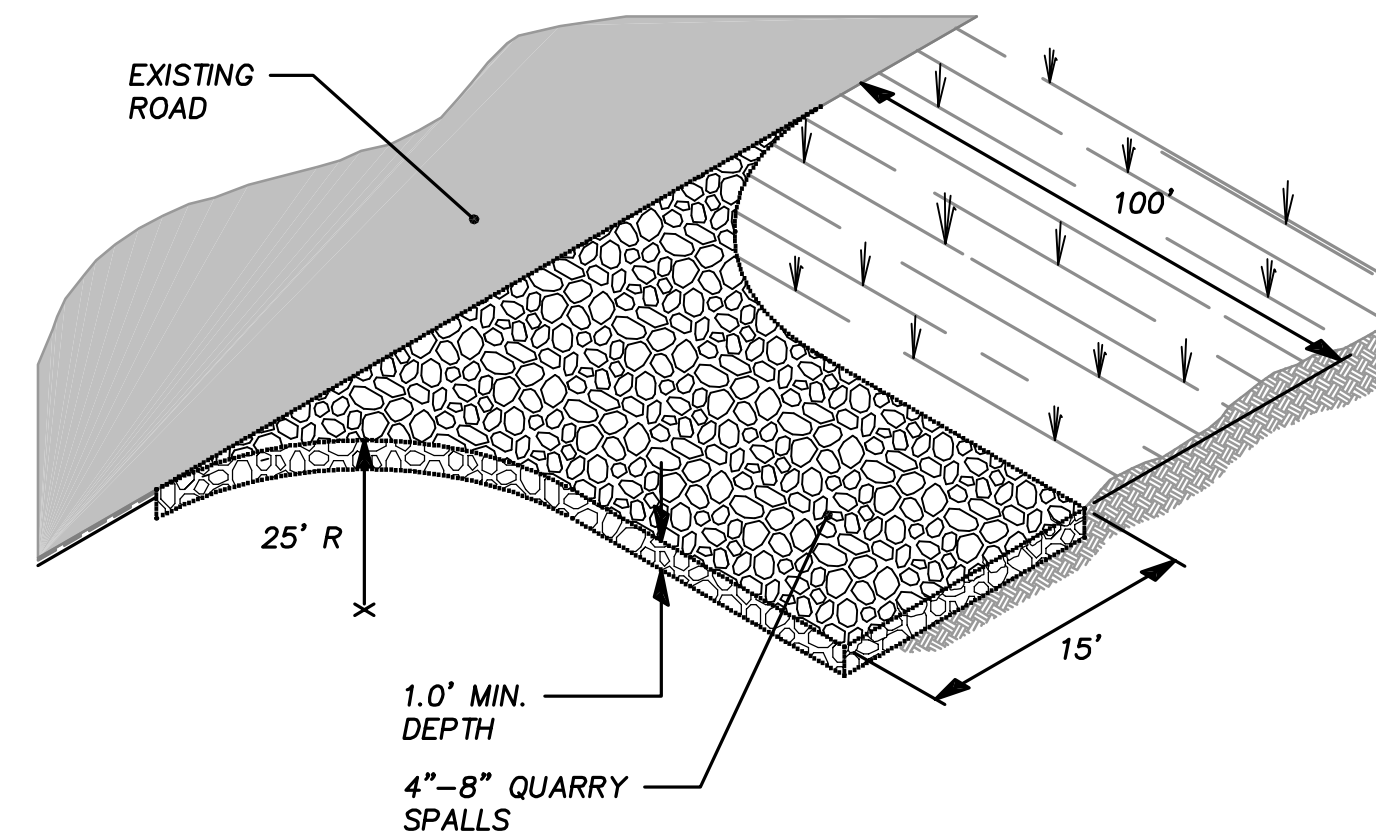


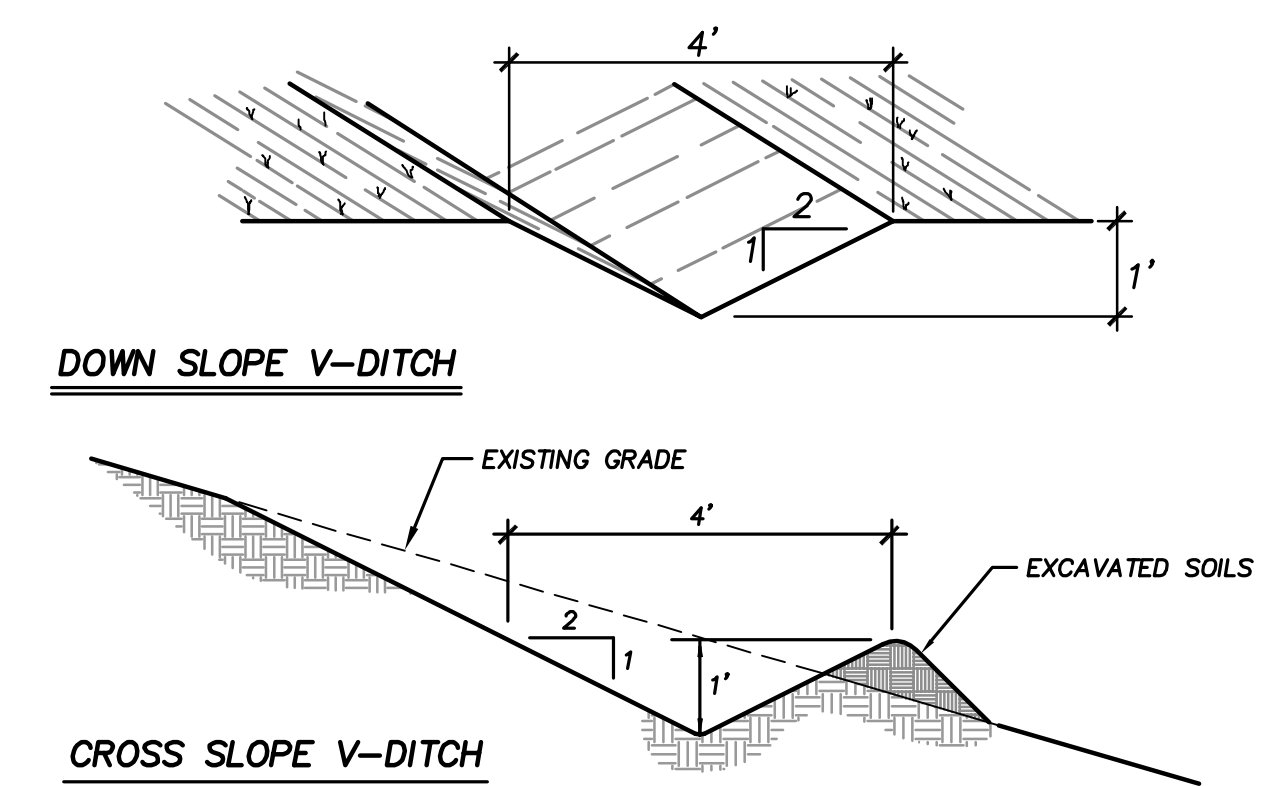
NE1/4, SECTION 28, T.28 N., R.4 E., W.M.



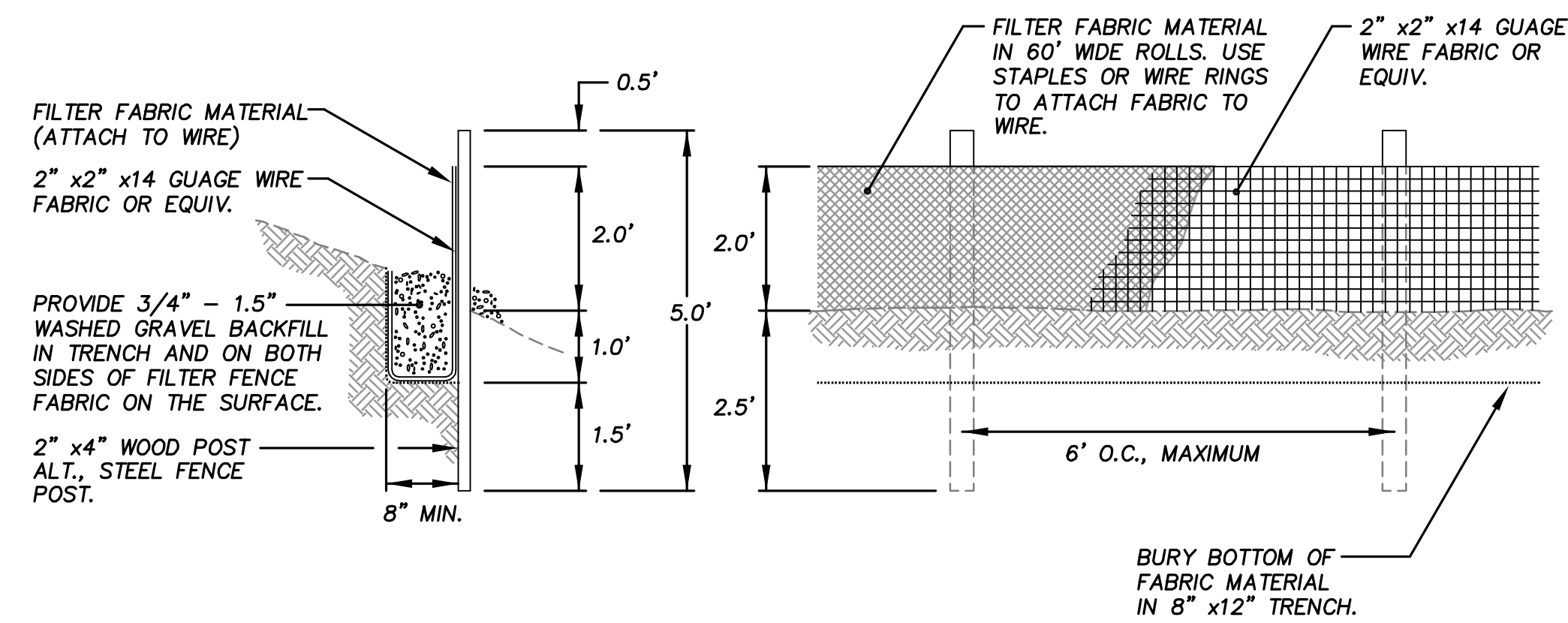
TEMPORARY CATCH BASIN INSERT



TEMP., ROCKED CONSTRUCTION ENTRANCE



INTERCEPTOR SWALE



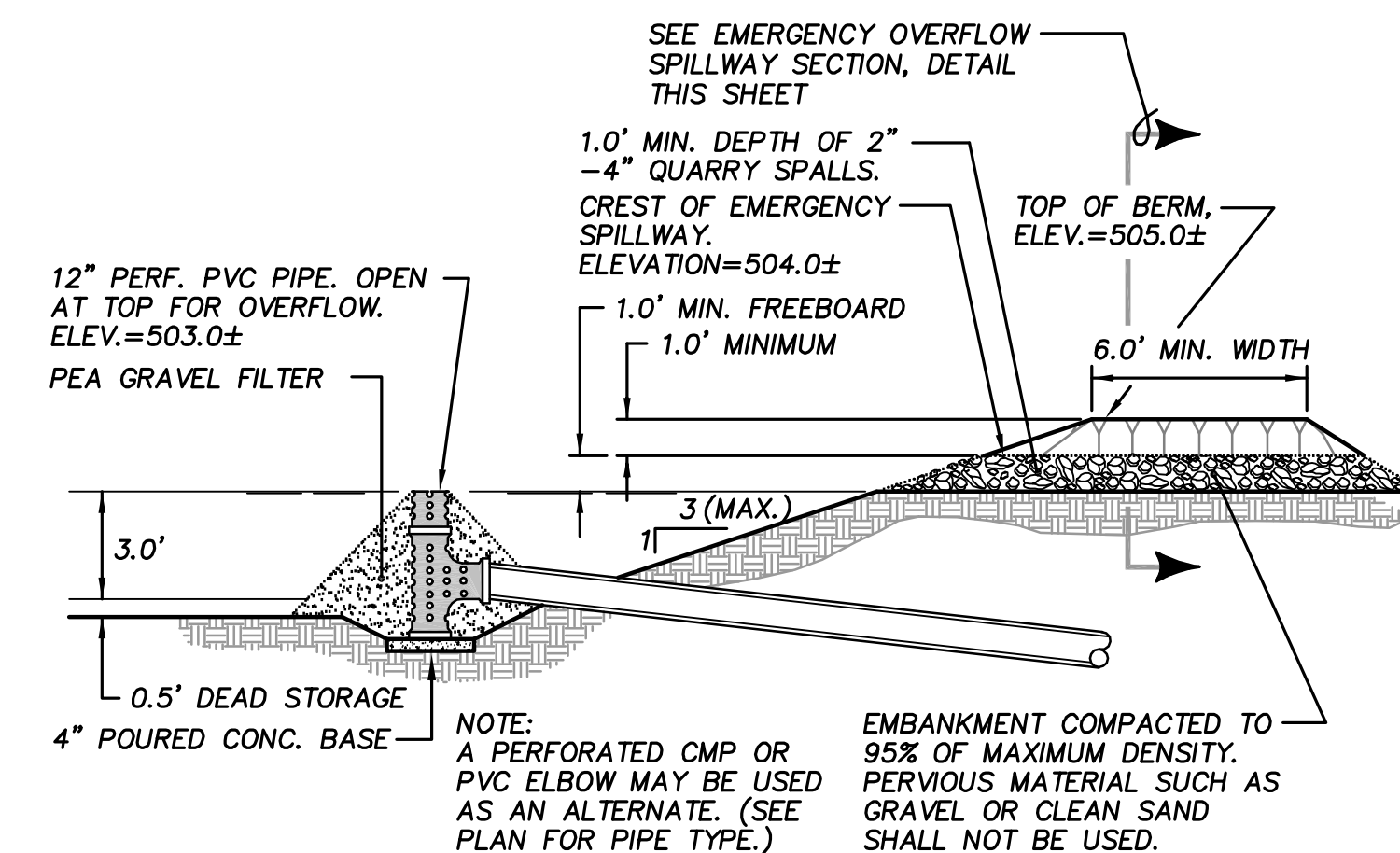
SILT FENCING

PURPOSE: TO RETAIN SEDIMENT FROM VERY SMALL DISTURBED AREAS BY CONSTRUCTION OF A TEMPORARY BARRIER MADE FROM RESIDUE MATERIALS AVAILABLE FROM CLEARING AND GRUBBING THE SITE.

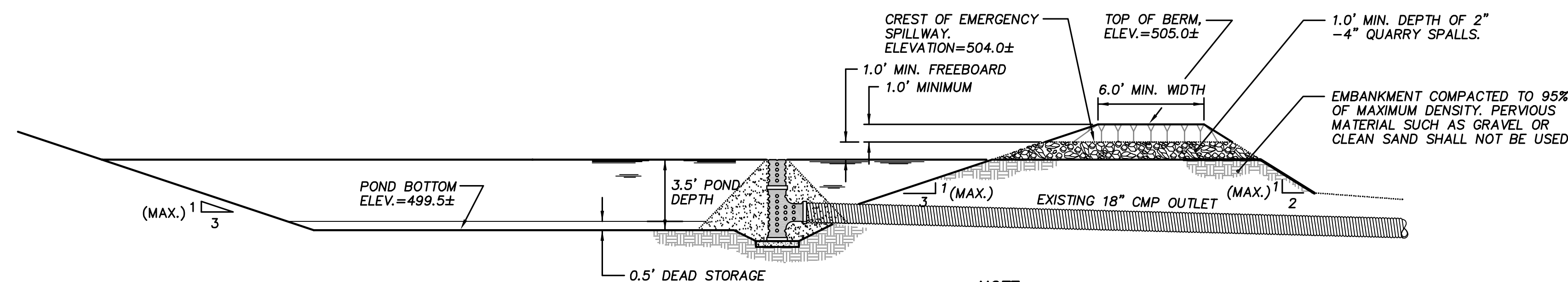
CONDITIONS WHERE PRACTICE APPLIES: BELOW DISTURBED AREAS SUBJECT TO SHEET AND RILL EROSION, WHERE ENOUGH RESIDUE MATERIAL IS AVAILABLE FOR CONSTRUCTION OF SUCH A BARRIER.

NOTE: DOES NOT REPLACE THE NEED FOR A SEDIMENT TRAP OR POND.

DESIGN CRITERIA/SPECIFICATIONS: MINIMUM HEIGHT= 3.0'. MAXIMUM HEIGHT= 5.0'. MINIMUM WIDTH= 5.0' AT IT'S BASE. MAXIMUM WIDTH= 15.0'. A FILTER FENCE ANCHORED OVER THE BRUSH BERM MAY BE REQUIRED BY BALD TO ENHANCE THE FILTRATION ABILITY OF THE BARRIER.



GRAVEL FILTER CONE OUTLET

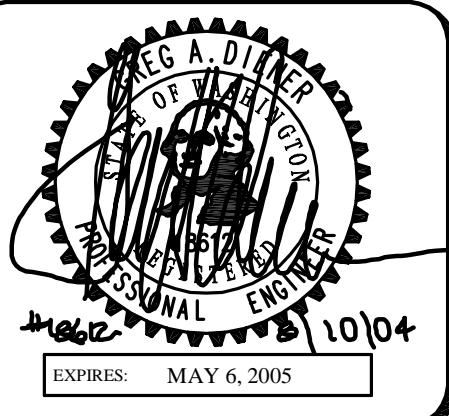
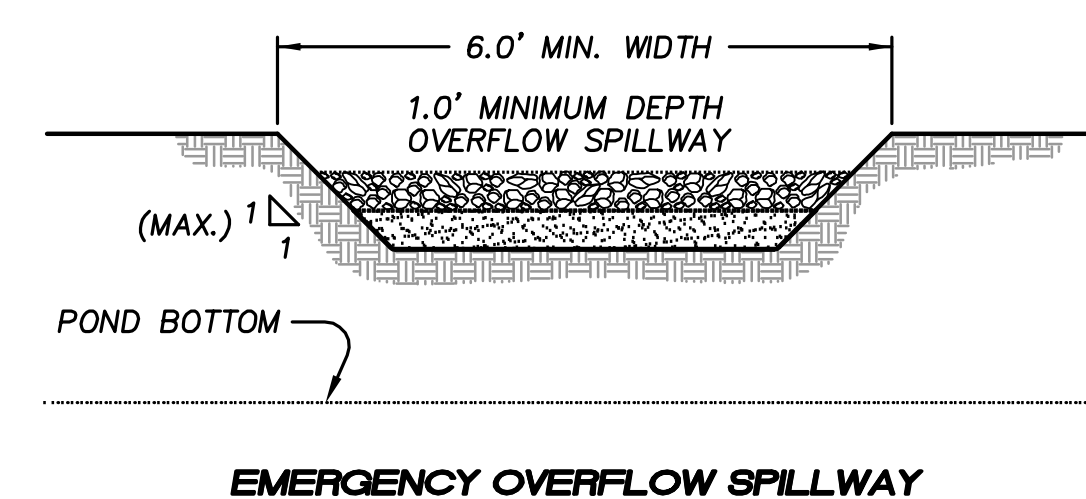


NOTE : CONTRACTOR TO VERIFY DEPTH OF EXISTING INLET TO CATCH BASIN OF POND OUTFALL. 3.5' OF LIVE STORAGE MUST BE MAINTAINED IN POND. MAKE NECESSARY ADJUSTMENT TO ACCOMMODATE.

TEMPORARY EROSION SEDIMENTATION CONTROL POND

NOTES :

1. SEDIMENT SHALL BE REMOVED FROM THE POND WHEN IT REACHES 1.0' IN DEPTH.
2. ANY DAMAGE TO THE POND EMBANKMENTS OR SLOPES SHALL BE REPAIRED.



4180 LIND AVE. S.W.
 RENTON, WA 98055
 PHONE: (425) 251-8811
 FAX: (425) 251-8880
 WEB SITE: PACENG.COM

Pacific Engineering Design, LLC
 Civil Engineering and Planning Consultants

VILLAGE CENTER TOWNHOMES
 MUKILTEO, WA.

FOR: CHINOOK PACIFIC CORPORATION
 1289 VILLAGE CENTER PLACE, SUITE 203
 MUKILTEO, WA 98275
 PHONE: (425) 348-0807, FAX: (425) 348-4977

PROJECT NO.: **04007**
 DRAWN BY: **JGC**
 ISSUE DATE: **06-16-04**
 SHEET REV.: **08-10-04**

DETAILS

04007DT01-C10.DWG
C10