

NE1/4, SECTION 28, T.28 N., R.4 E., W.M.



4180 LIND AVE. SW.  
 RENTON, WA 98055  
 PHONE: (425) 251-8880  
 FAX: (425) 251-8880  
 WEB SITE: PACENG.COM

**Pacific Engineering Design, LLC**  
 Civil Engineering and Planning Consultants

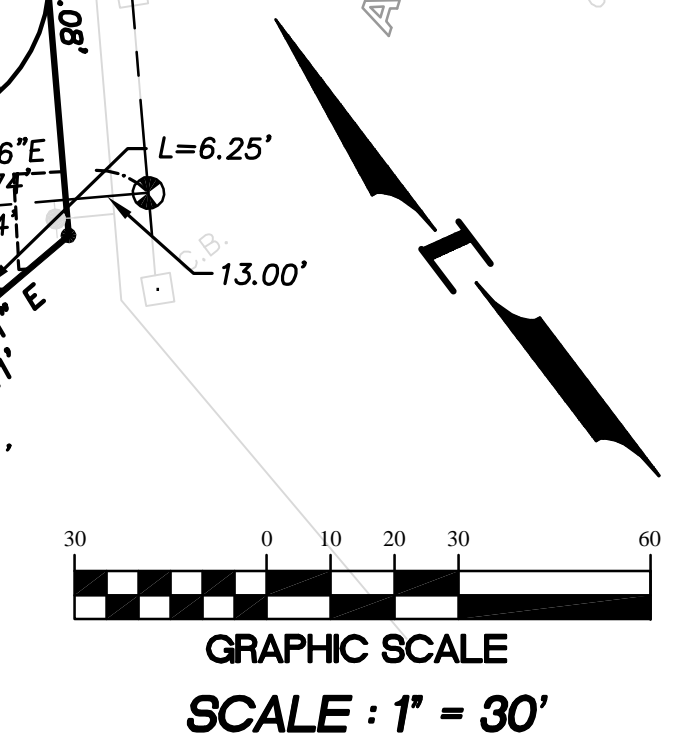
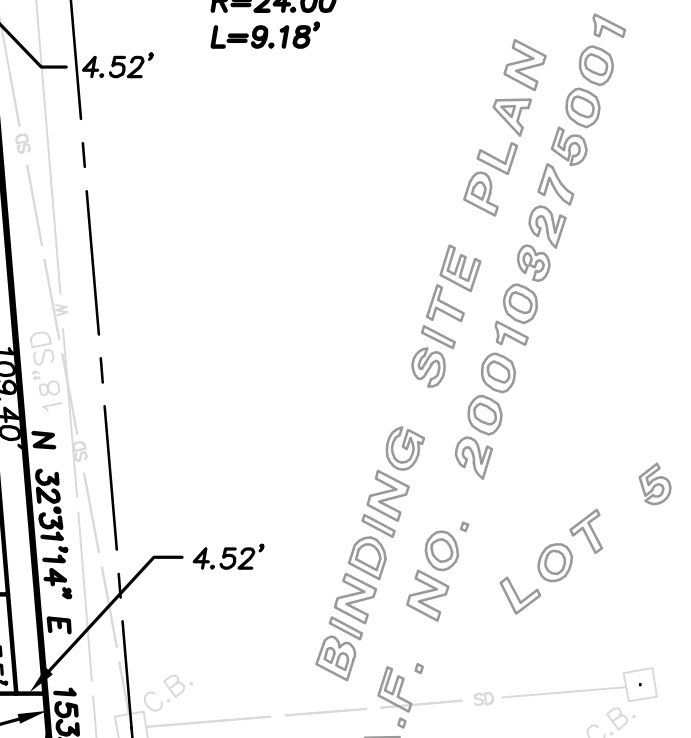
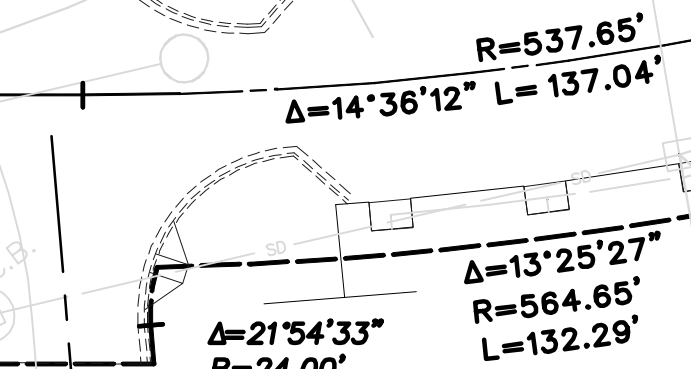
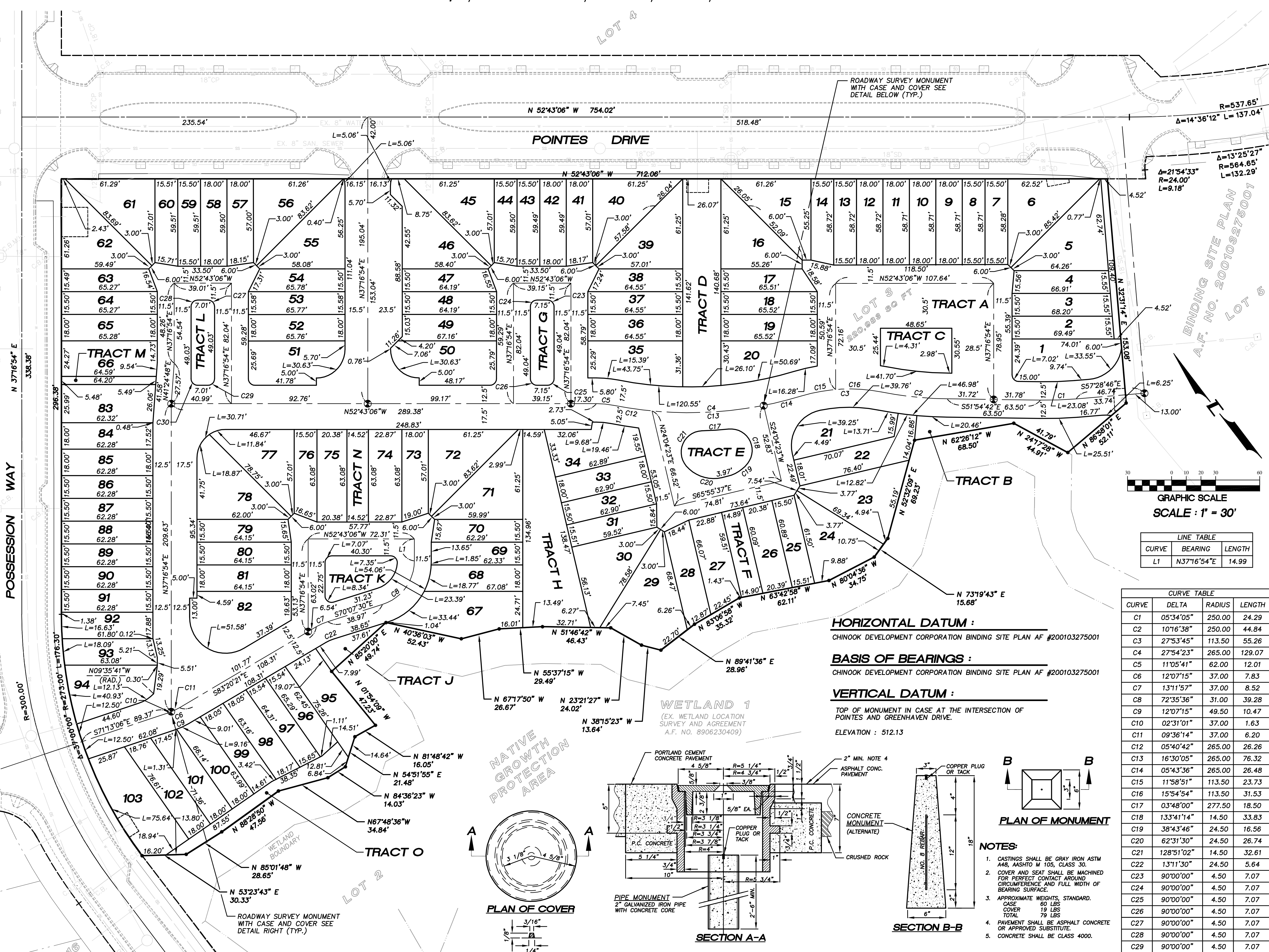
**VILLAGE CENTER TOWNHOMES**  
 MUKILTEO, WA.

FOR: CHINOOK PACIFIC CORPORATION  
 1289 VILLAGE CENTER PLACE, SUITE 203  
 MUKILTEO, WA 98275  
 PHONE: (425) 348-0807, FAX: (425) 348-4977

PROJECT NO.: **04007**  
 DRAWN BY: **JGC**  
 ISSUE DATE: **06-16-04**  
 SHEET REV.: **08-10-04**

**HORIZONTAL CONTROL PLAN**

04007HC01-C03.DWG  
**C03**



**LINE TABLE**

CURVE	BEARING	LENGTH
L1	N37°16'54"E	14.99

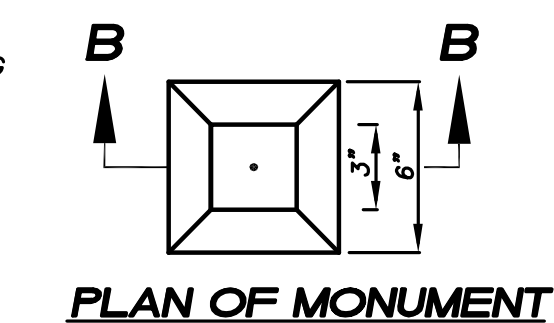
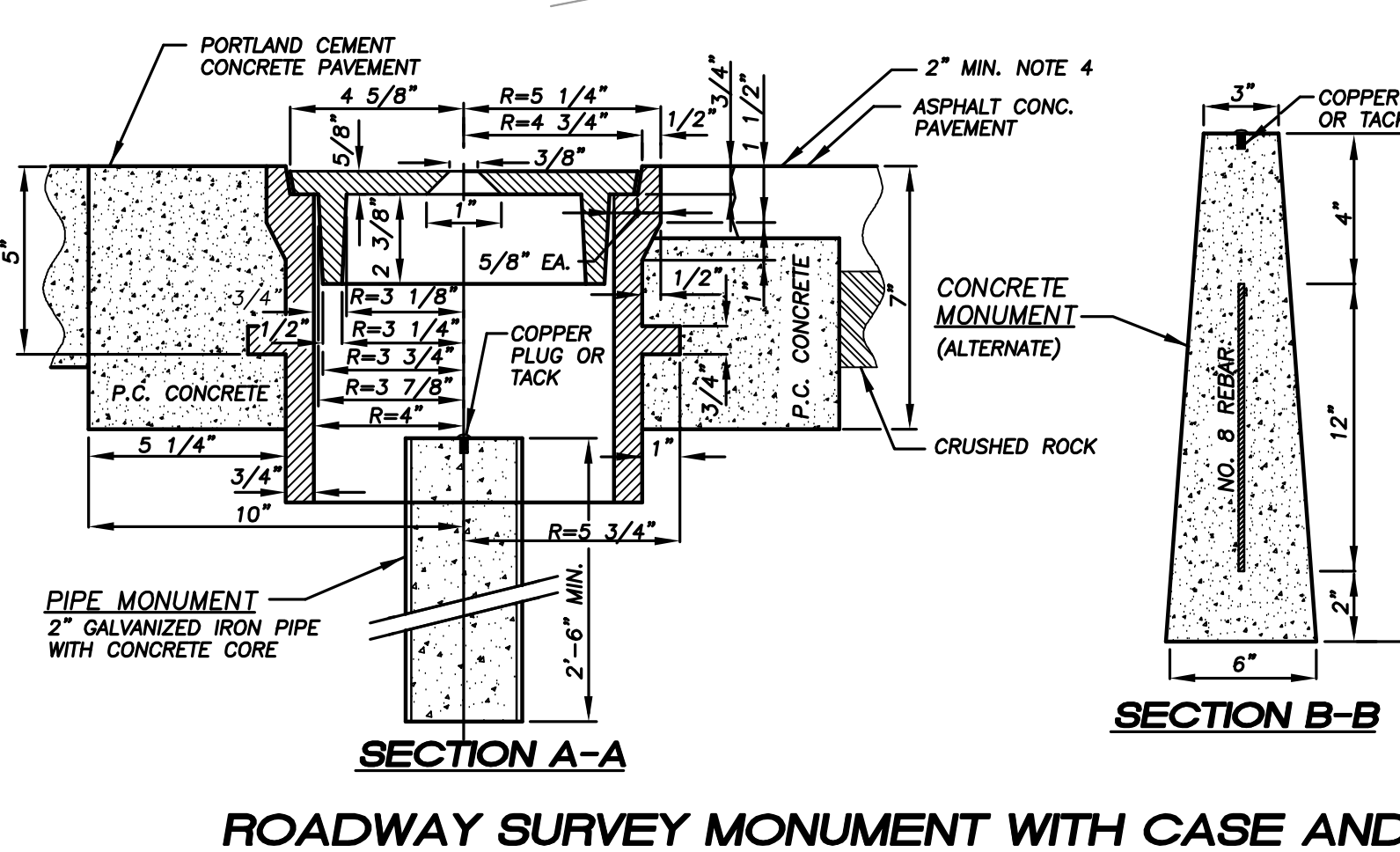
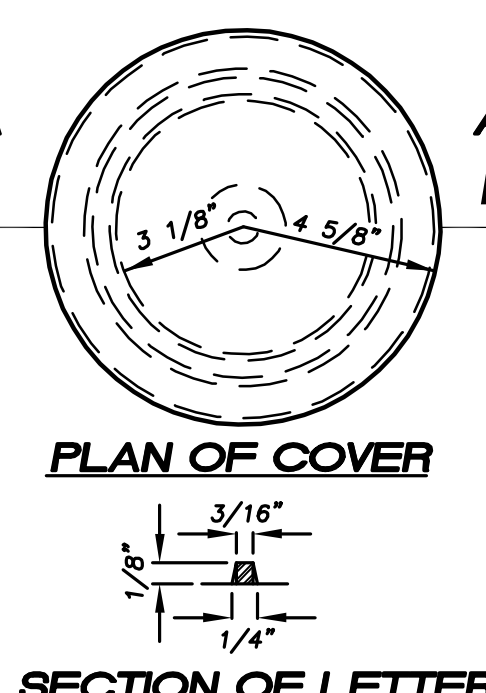
**CURVE TABLE**

CURVE	DELTA	RADIUS	LENGTH
C1	05°34'05"	250.00	24.29
C2	10°16'38"	250.00	44.84
C3	27°53'45"	113.50	55.26
C4	27°54'23"	265.00	129.07
C5	11°05'41"	62.00	12.01
C6	12°07'15"	37.00	7.83
C7	13°11'57"	37.00	8.52
C8	72°35'36"	31.00	39.28
C9	12°07'15"	49.50	10.47
C10	02°31'01"	37.00	1.63
C11	09°36'14"	37.00	6.20
C12	05°40'42"	265.00	26.26
C13	16°30'05"	265.00	76.32
C14	05°43'36"	265.00	26.48
C15	11°58'51"	113.50	23.73
C16	15°54'54"	113.50	31.53
C17	03°48'00"	277.50	18.50
C18	133°41'14"	14.50	33.83
C19	38°43'46"	24.50	16.56
C20	62°31'30"	24.50	26.74
C21	128°51'02"	14.50	32.61
C22	13°11'30"	24.50	5.64
C23	90°00'00"	4.50	7.07
C24	90°00'00"	4.50	7.07
C25	90°00'00"	4.50	7.07
C26	90°00'00"	4.50	7.07
C27	90°00'00"	4.50	7.07
C28	90°00'00"	4.50	7.07
C29	90°00'00"	4.50	7.07
C30	90°00'00"	4.50	7.07

**HORIZONTAL DATUM :**  
 CHINOOK DEVELOPMENT CORPORATION BINDING SITE PLAN AF #200103275001

**BASIS OF BEARINGS :**  
 CHINOOK DEVELOPMENT CORPORATION BINDING SITE PLAN AF #200103275001

**VERTICAL DATUM :**  
 TOP OF MONUMENT IN CASE AT THE INTERSECTION OF  
 POINTES AND GREENHAVEN DRIVE.  
 ELEVATION : 512.13



- NOTES:**
- CASTINGS SHALL BE GRAY IRON ASTM 448, ASHTO M 105, CLASS 30.
  - COVER AND SEAT SHALL BE MACHINED FOR PERFECT CONTACT AROUND CIRCUMFERENCE AND FULL WIDTH OF BEARING SURFACE.
  - APPROXIMATE WEIGHTS, STANDARD.  
 CASE 60 LBS  
 COVER 19 LBS  
 TOTAL 79 LBS
  - PAVEMENT SHALL BE ASPHALT CONCRETE OR APPROVED SUBSTITUTE.
  - CONCRETE SHALL BE CLASS 4000.