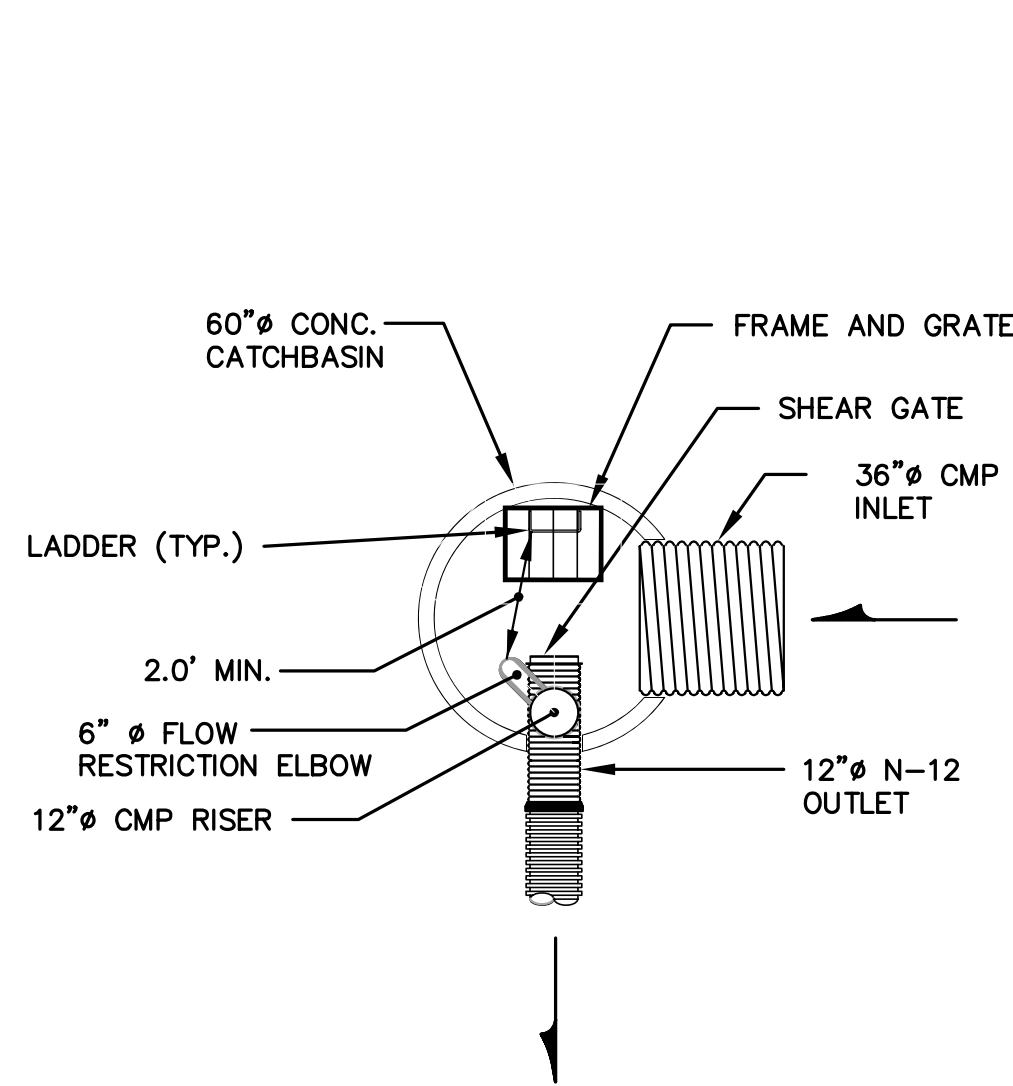
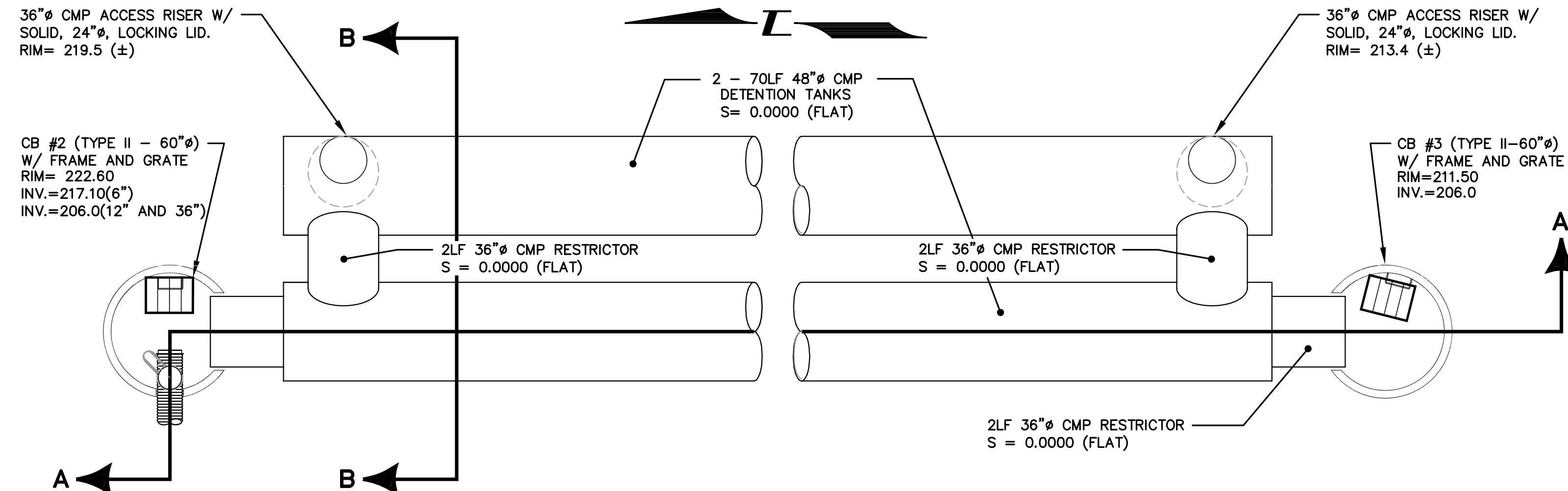


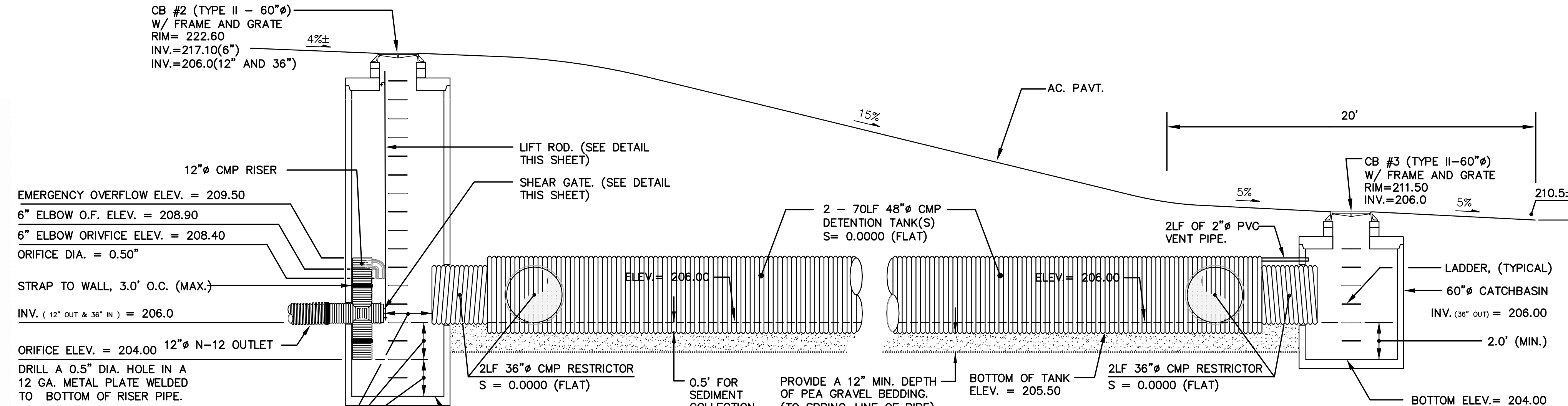
**SECTION B-B**



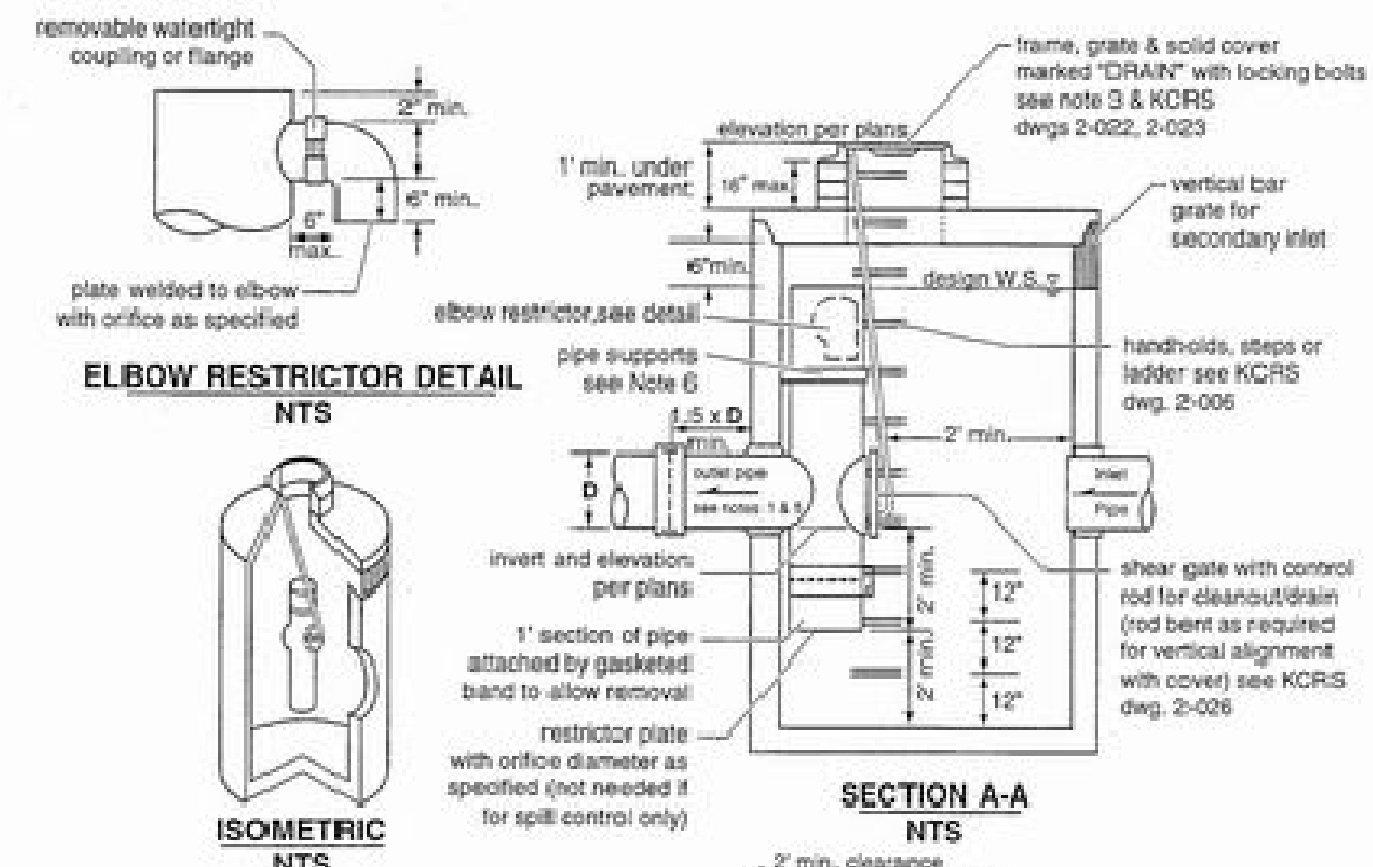
**PLAN VIEW CB #2**



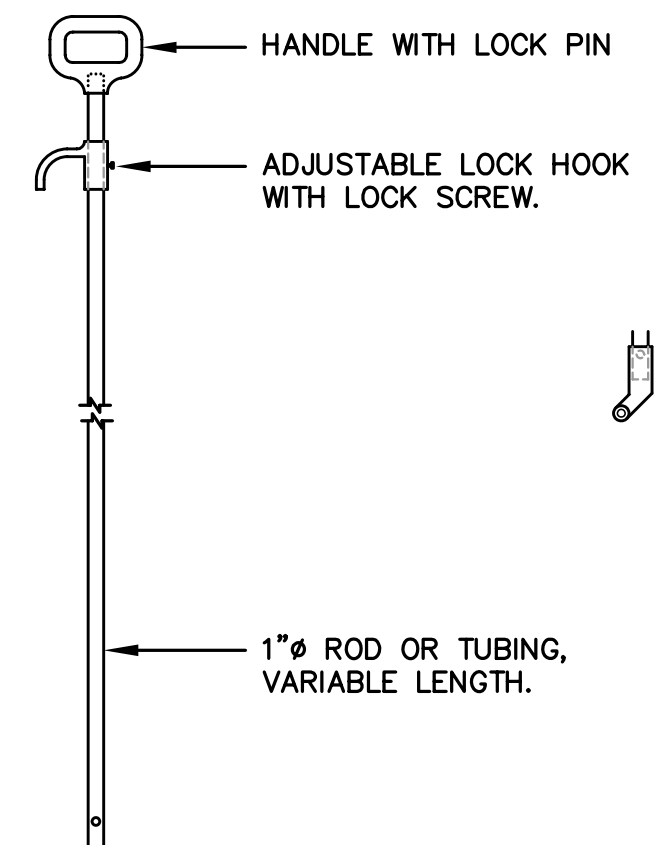
**PLAN VIEW DETENTION TANK(S)**



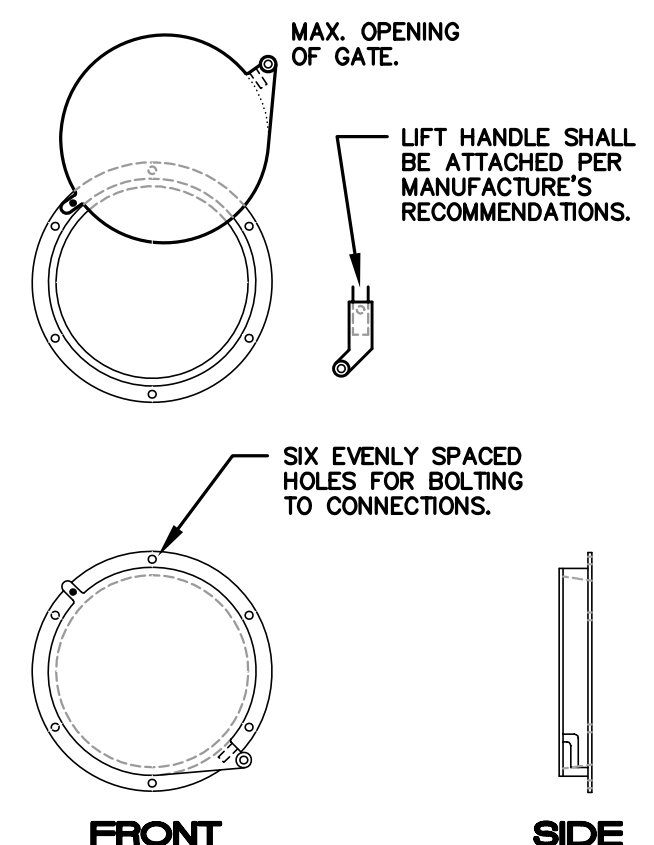
**SECTION A-A**



- NOTES:**
- Use a minimum of a 54" diameter type 2 catch basin.
  - Outlet Capacity: 100-Year developed peak flow.
  - Metal Parts: Corrosion resistant. Non-Galvanized parts perforated. Galvanized pipe parts to have asphalt treatment.
  - Frame and ladder or steps offset so:
    - Cleanout gate is visible from top.
    - Climb-down space is clear of riser and cleanout gate.
    - Frame is clear of curb.
  - If metal outlet pipe connects to concrete pipe, outlet pipe to have smooth O.D. equal to concrete pipe I.D. less 1/4".
  - Provide at least one 3" X .090 gage support bracket anchored to concrete wall. (maximum 3'-0" vertical spacing)
  - Locate elbow restrictor(s) as necessary to provide minimum clearance as shown.
  - Locate additional ladder rungs in structures used as access to tanks or vaults to allow access when catch basin is filled with water.

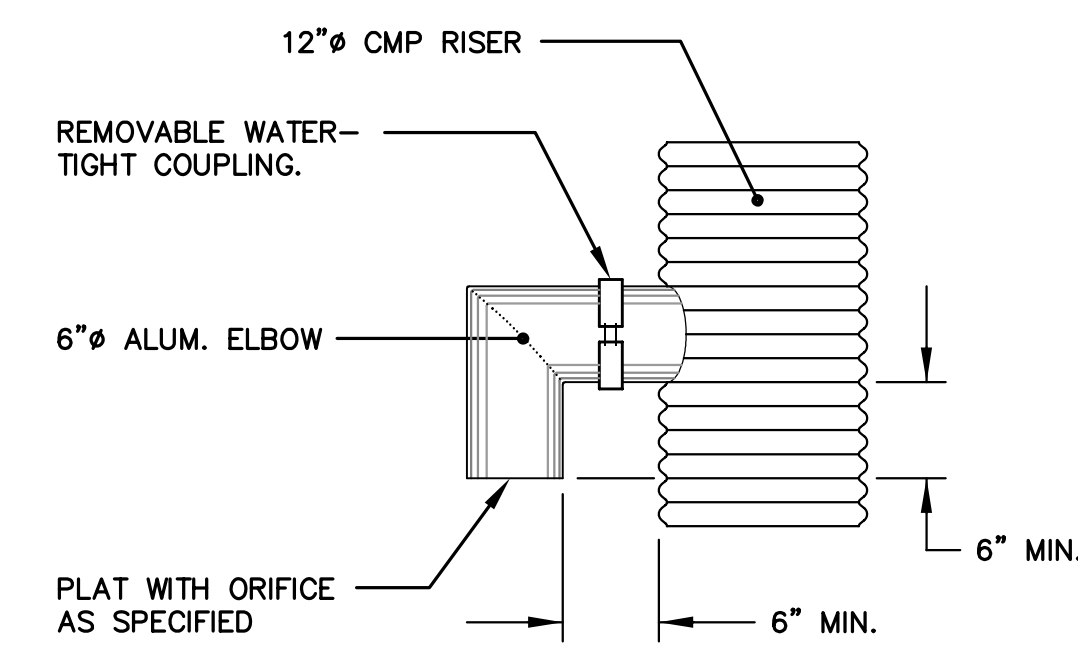


**LIFT ROD**

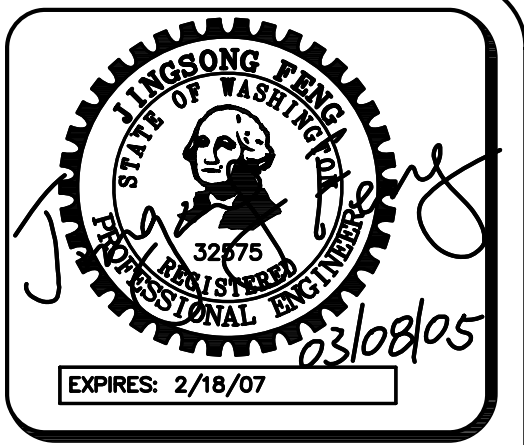


**SHEAR GATE**

- SHEAR GATE SHALL BE ALUMINUM ALLOY PER ASTM B-26-ZG-32g OR CAST IRON ASTM A48 CLASS 30B AS REQUIRED.
- GATE SHALL BE 8" DIA. FOR PIPE 12" OR LESS IN DIA., 12" DIA. FOR PIPES GREATER THAN 12".
- GATE SHALL BE JOINED TO TEE SECTION BY BOLTING THROUGH FLANGE.
- LIFT ROD: AS SPECIFIED BY MFR. WITH HANDLE EXTENDING TO WITHIN ONE FOOT OF COVER AND ADJUSTABLE HOOK LOCK FASTENED TO FRAME OR UPPER HANDHOLD.
- GATE SHALL NOT OPEN BEYOND THE CLEAR OPENING TO WITHIN ONE FOOT OF COVER AND ADJUSTABLE HOOK LOCK FASTENED TO FRAME OR UPPER HANDHOLD.
- NEOPRENE RUBBER GASKET REQUIRED BETWEEN RISER MOUNTING FLANGE AND GATE FLANGE.
- MATING SURFACES OF LID AND BODY TO BE MACHINED FOR PROPER FIT.
- FLANGE MOUNTING BOLTS SHALL BE 3/8" DIA. STAINLESS STEEL.
- ALTERNATE SHEAR GATES TO THE DESIGN SHOWN ARE ACCEPTABLE, PROVIDED THEY MEET THE MATERIAL SPECIFICATIONS ABOVE.



**FLOW RESTRICTION ELBOW**



**Pacific Engineering Design, LLC**  
 Civil Engineering and Planning Consultants  
 4180 LIND AVE. S.W.  
 RENTON, WA 98055  
 PHONE: (425) 251-8811  
 FAX: (425) 251-8880  
 WEB SITE: PACENG.COM

**HOOVER SINGLE FAMILY**  
 KENMORE, WA  
 FOR: HOOVER PREMIER HOMES  
 16300 MILL CREEK BLVD., #108  
 MILL CREEK, WA 98012  
 PHONE: (425) 745-1070

PROJECT NO.: **04082**  
 DRAWN BY: **DJW**  
 ISSUE DATE: **12-03-04**  
 SHEET REV.:

**DETENTION FACILITY DETAILS**